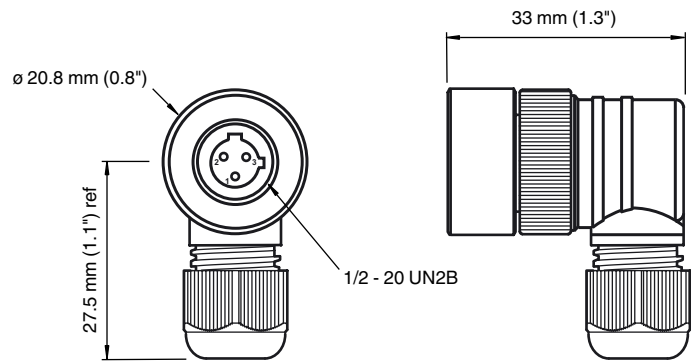




Dimensions



Model Number

V12-W

Female connector, 1/2", Micro AC, 3-pin

Features

- Gold plated contacts
- Screw terminal connection

Technical data

General specifications

Number of pins	3
Connection 1	female connector
Construction type 1	right angle
Threading 1	1/2"

Electrical specifications

Operating voltage	U_B	max. 250 V AC
Operating current		max. 4 A
Volume resistance		$\leq 5 \text{ m}\Omega$

Ambient conditions

Ambient temperature	-25 ... 90 °C (-13 ... 194 °F)
---------------------	--------------------------------

Mechanical specifications

Connection type	1/2"-20 UN F Socket, right-angled Screw terminals for max. 0.75 mm ²
Core cross-section	$\leq 0.75 \text{ mm}^2$ 18 AWG
Protection degree	IP67
Material	
Contacts	Cu alloy
Contact surface	Au
Body	PA
Slotted nut	brass, nickel-plated
Cable	
Sheath diameter	4 ... 6 mm

Electrical connection

